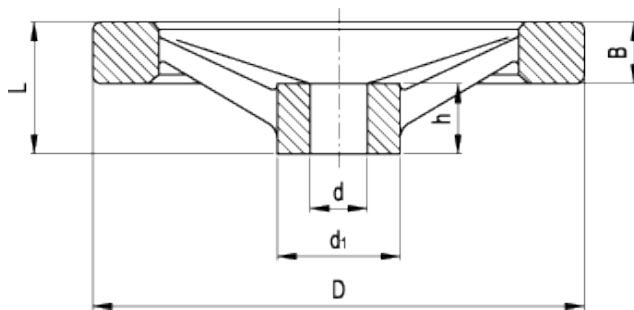


# GN 322-A

Spoked handwheels



## technical informations

### Material

Aluminium, fine sandblasted matte surface, turned and mirror-polished rim.

### Assembly

- Version B: H7 reamed hole.
  - Version K: H7 reamed hole and keyway in compliance with [DIN 6885/1 P9 tolerance](#).
- For fixing GN 322-A on shafts by a grub screw see [Technical Data](#).

### Other standard executions available

GN 322-A with [GN 000.4](#) or [GN 000.5](#) safety coupling bushing.

### Accessories on request

Axial retaining washer type [GN 184](#).

### Technical data

Axial and radial runout lower than 0.4.

Description	D	L	B	d <sub>1</sub>	d <sub>H7</sub>	h	g
GN 322-125-B12-A	125	33	15	31	12	18	311
GN 322-125-B14-A	125	33	15	31	14	18	308
GN 322-125-K12-A	125	33	15	31	12	18	306
GN 322-125-K14-A	125	33	15	31	14	18	309
GN 322-140-B14-A	140	36	16.5	36	14	19	411
GN 322-140-B16-A	140	36	16.5	36	16	19	394
GN 322-140-K14-A	140	36	16.5	36	14	19	409
GN 322-140-K16-A	140	36	16.5	36	16	19	392
GN 322-160-B14-A	160	39	18	36	14	20	539
GN 322-160-B16-A	160	39	18	36	16	20	530
GN 322-160-K14-A	160	39	18	36	14	20	536
GN 322-160-K16-A	160	39	18	36	16	20	527
GN 322-200-B18-A	200	45	20.5	42	18	24	892
GN 322-200-B20-A	200	45	20.5	42	20	24	885
GN 322-200-K18-A	200	45	20.5	42	18	24	881
GN 322-200-K20-A	200	45	20.5	42	20	24	888
GN 322-250-B22-A	250	51	23	48	22	28	1478
GN 322-250-B26-A	250	51	23	48	26	28	1454
GN 322-250-K22-A	250	51	23	48	22	28	1473
GN 322-250-K26-A	250	51	23	48	26	28	1449

This product had the following design awards:



ELESA and GANTER models all rights reserved in accordance with the law. Always mention the source when reproducing our drawings.

**STANDARD MACHINE ELEMENTS WORLDWIDE**